

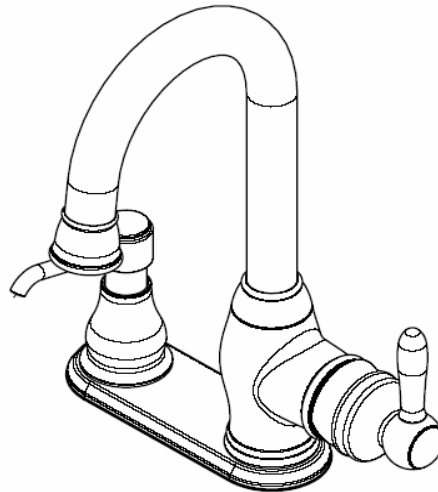
**SINGLE HANDLE BAR FAUCET**

**386-814**

**FS1A0008CP**

**408-396**

**FS1A0008BNV**



**FEATURES:**

- Solid brass & copper waterways
- Fits 4" center holes
- Drip-free ceramic cartridge
- ½" 14 NPSM Inlet
- Metal lever handle
- With soap dispenser
- Water saving aerator
- Max flow rate: 2.2 GPM at 60Psi
- Meets ADA requirements
- 100% factory pressure tested before shipment

**CODES / STANDARDS APPLICABLE:**

Specified model meets or exceeds the following:

- ANSI/ASME A112.18.1
- ANSI/NSF 61 – Sec. 9
- IAPMO/UPC
- CSA B125
- AB 1953
- ADA

**COLOR FINISHES:**

- CP = Polished Chrome
- BNV = Brushed Nickel

**SPECIFIED MODEL:**

Model	Description	Finish
386-814	Single Handle Bar Faucet	Polished Chrome
408-396	Single Handle Bar Faucet	Brushed Nickel

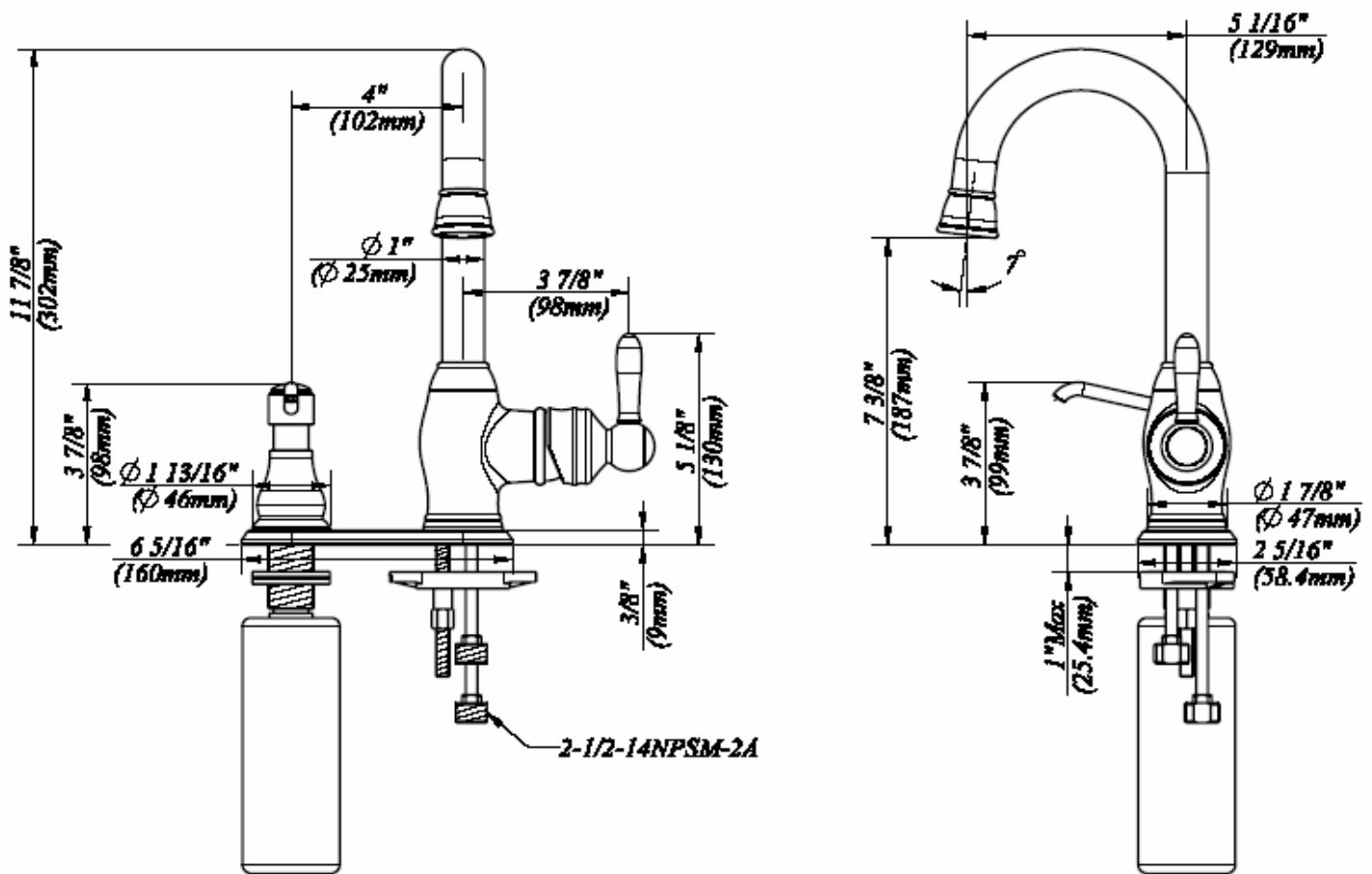
386-814

FS1A0008CP

408-396

FS1A0008BNV

**PRODUCT SPECIFICATION DIAGRAM**



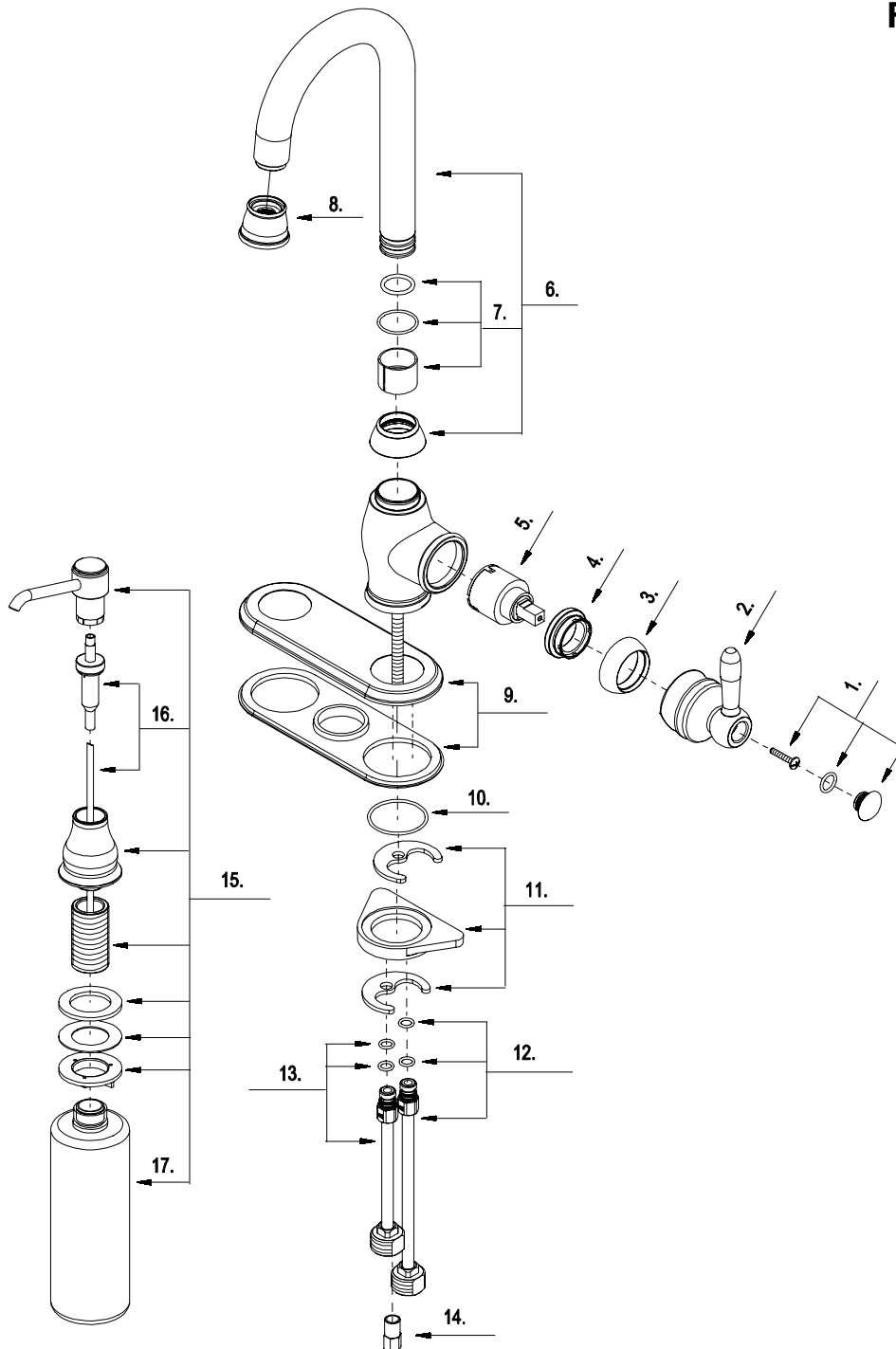
386-814

FS1A0008CP

408-396

FS1A0008BNV

## EXPLODED DRAWING



**EXPLODED DRAWING**

386-814

FS1A0008CP

408-396

FS1A0008BNV

No.	Part Number	Finish		Part Description
		386-814	408-396	
1	A66D556	CP	BNV	Handle Cap
2	A662591	CP	BNV	Metal Handle Assembly
3	A103016	CP	BN	Trim Cap
4	A104002			Locking Nut
5	A507348N-32			Ceramic Disc Cartridge
6	A666760N	CP	BNV	Spout Assembly
7	A66D066N			Spout Seal Kit
8	A500912N	CP	BNV	Aerator
9	A66D557	CP	BNV	Cover Plate& Putty Plate
10	A004107			O-Ring (Φ1-9/16" ID * Φ1-11/16" OD)
11	A66D095NI			Mounting Hardware
12	A664008W			Supply Pipe-Hot
13	A664194W			Supply Pipe-Cold
14	A070135			Lock Nut
15	A502247	CP	BN	Soap Dispenser Assembly
16	A605230			Soap Pump
17	A116000			Soap Bottle